

Reader's story

Dear stranger,

I lost my wallet on Friday, April 28. I was on the LRT with my ESL class.

We were going to buy bus passes for May. I left my wallet on the train. My ID cards and \$74 were inside my wallet.

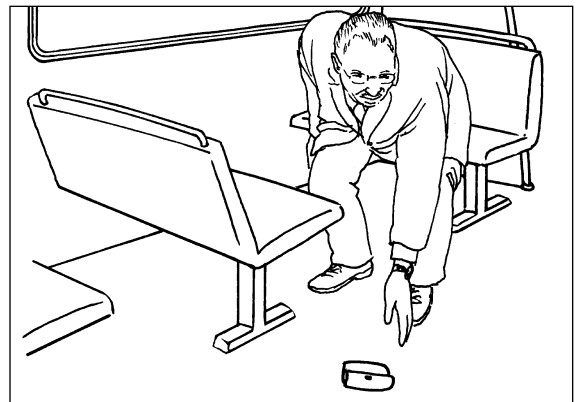
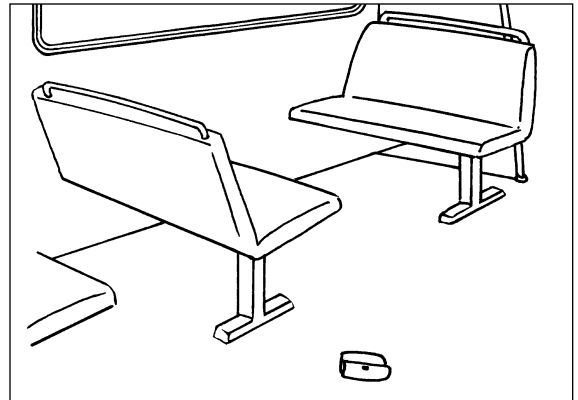
Thank you very much for finding my wallet. You are an honest person.

—Habibo Yusuf, Edmonton

Thank you for returning my wallet.



Photo: Bev Burke • Art: Nola Johnston



I found this wallet on the train.

